

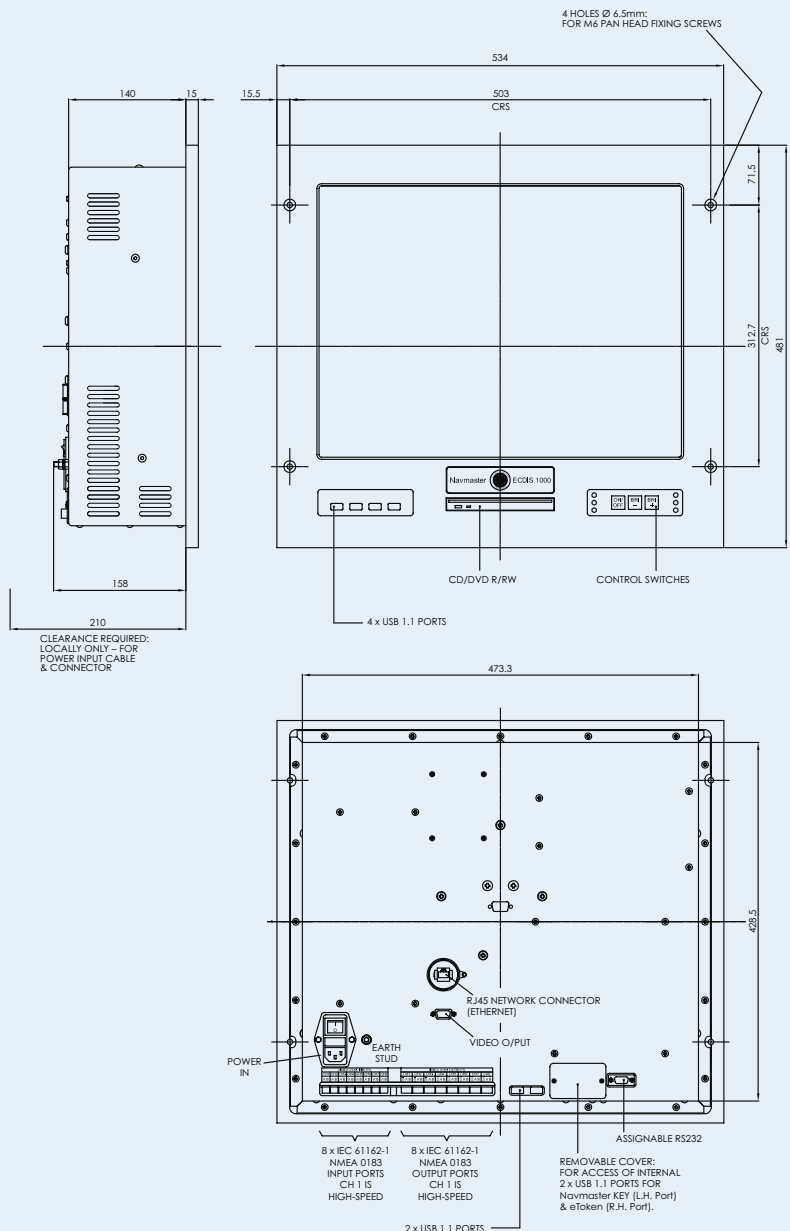
Navmaster® ECDIS Hardware Solutions

NavMaster 1000

LGS213 Monitor/CPU

SPECIFICATION

PARAMETERS	Combined Monitor/CPU: part of Electronic Chart Display and Information System Navmaster ECDIS 1000
DISPLAY	LCD 21.3" (4:3)
POWER REQUIREMENT	100v - 240v 50/60Hz Typical <60W.
MEMORY	2Gb DDR2 RAM
HARD DISC DRIVE	60GB SATA / SOLID STATE
PROCESSOR	Intel E8400
CD/DVD	CD/DVD READ / WRITE
I/O PORTS	8 x USB (4 on front / 4 on rear; 2 of which are internal and dedicated for Navmaster key and eToken use) / 1 x VGA (for repeater) / 1 x LAN (Network) / 1 x Power In / 8 x NMEA 0183 Input Terminals / 8 x NMEA 0183 Output Terminals / Generic RS232 port (assignable)
COMPASS SAFE DISTANCE STANDARDS	Standard: 0.75m Steering: 0.3m IEC 60945: 2002 IEC 61162-1: 2007 (NMEA 0183 IEC 61174: 2008 (as appropriate) IEC 62288: 2008 (as appropriate) IEC 62388: 2008 (part only)
MECHANICAL	
Size / Weight	534mm (W) x 481mm (H) x 158mm (D) See outline drawing 3453-A1-20 Weight: 23.4kg
Mounting	Panel
Material	Case: 1.5mm Thk Mild Steel: powder coated: black with integral LCD inc Power / VGA / backlight inverter boards + CPU. Window: Laminated Glass; tinted. Bezel: Aluminium alloy: black powder coated.

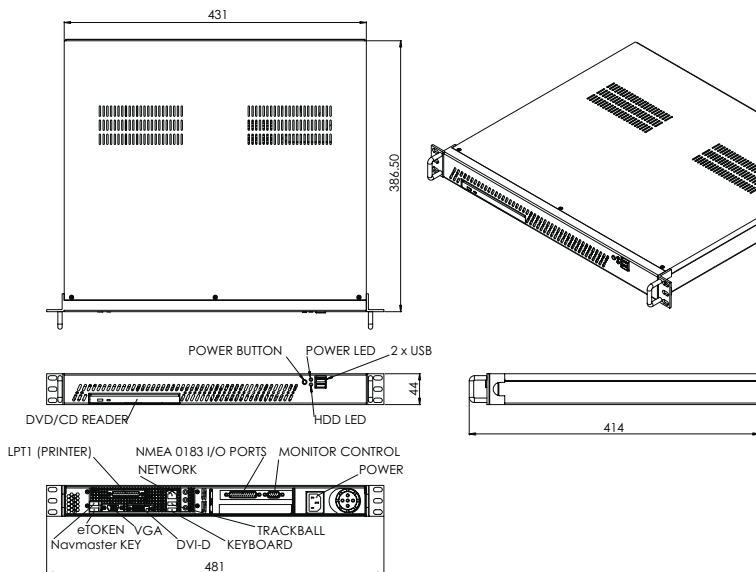


In accordance with our policy of continuous development, changes may be made from time to time without prior notice.



NavMaster 800

LGP30 PROCESSOR



SPECIFICATION

MEMORY	2Gb DDR2 RAM
HARD DISC DRIVE	60GB SATA / SOLID STATE
PROCESSOR	Intel E8400
CD/DVD	CD/DVD READ/WRITE
I/O PORTS	6 x USB / 1 x VGA (primary – calibrated) / 1 x DVI-D (secondary – non calibrated) / 1 x LAN (Network) / 1 x Monitor Control / 1 x Power In / 1 x NMEA I/O (8 x NMEA 0183 IN + 4 x NMEA 0183 OUT) / 1 x LPT1

POWER REQUIREMENT 110v 50/60Hz or 220v 50/60Hz
80W Typical

COMPASS SAFE DISTANCE Standard: 0.55m Steering: 0.45m

STANDARDS IEC 60945: 2002
IEC 61162-1: 2007 (NMEA 0183) - hardware
IEC 61174: 2008 (as appropriate)
IEC 62288: 2008 (as appropriate)
IEC 62388: 2008 (part only)

MECHANICAL

Size / Weight	19" 1U Rackmount Case PC. 483mm (W) x 44.45mm (H) x 390mm (D) See outline drawing 3436-A1-10. Weight: 7.0kg
Mounting	Fits 19" 1U Rack min depth 450mm Enclosure Options available
Material	Aluminium alloy / heavy duty cold rolled steel painted: textured black.

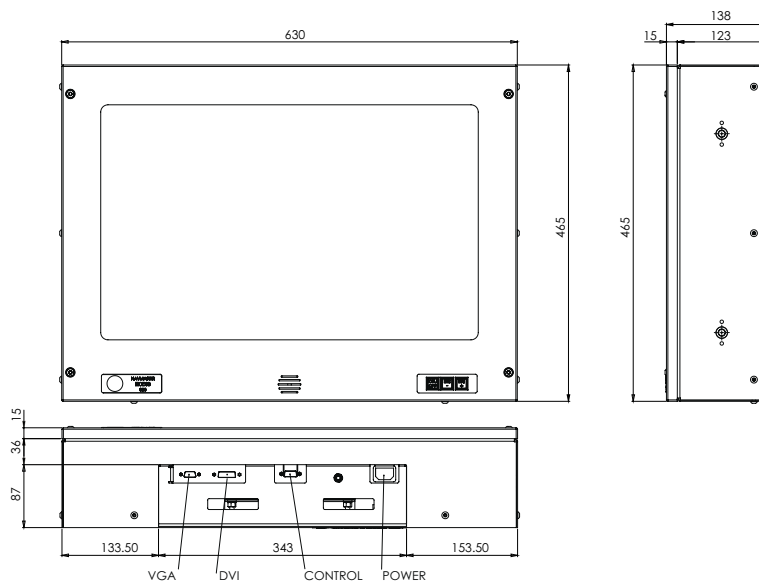
LGM24V2 MONITOR

SPECIFICATION

DISPLAY PARAMETERS	LCD 24" widescreen (16:10) Electronic Chart Display and Information System (ECDIS)
INPUT CONNECTORS	POWER + VGA + CONTROL
POWER REQUIREMENT	100v - 240v 50/60Hz Typical <85W.
COMPASS SAFE DISTANCE	Standard: 1.0m Steering: 0.75m
STANDARDS	IEC 60945: 2002 IEC 61174: 2008 (as appropriate) IEC 62288: 2008 (as appropriate) IEC 62388: 2008 (part only)

MECHANICAL

Size / Weight	630mm (W) x 465mm (H) x 138mm (D) See outline drawing 3439-A1-20 Weight: 15.8kg
Mounting	Panel/Desktop/Deck Head or Wall. See Hardware Options available
Material	Case: 1.5mm Thk Mild Steel: powder coated: black with integral LCD inc Power/VGA/backlight inverter boards. Window: allyl carbonate; tinted



Other hardware components are available, such as pedestals / console mount kits / desk top mount kits. Please contact us for more details.

PC MARITIME

PC Maritime Ltd,
Brunswick House, Brunswick Road,
Plymouth PL4 0NP, UK.

Tel: +44 (0)1752 254205
email: commercial.sales@pcmaritime.co.uk

www.pcmaritime.co.uk



PC Maritime, a Charente Group company, has a record of firsts in marine software development and marketing. The Company has won four UK Government SMART Awards, one SPUR Award and the Seatrade Award for Safety at Sea.

INTELLIGENT NAVIGATION SOLUTIONS